

WILLIAMSBURG

RANDOLPH

BW997

Table Lamp

1-150W Max.

Bulb Type: A

Switch: Hi-Lo Dimming

Bruton White (Soft Gray) Glazed Ceramic

w/ Polished Nickel Metal Parts

Lucite Base

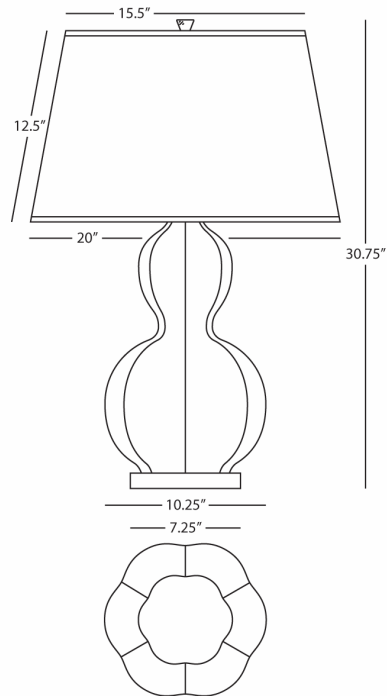
Pearl Dupioni Fabric Shade



BASE OPTION:

BW998 - Walnut Finished Wood Base

Antique Brass Metal Parts



**** Available for Quick SHIP ****